



- ***Bow Thrusters 12V***
- ***Bow Thrusters 24V***
- ***Remote controls***
- ***Joystick remote controls***
- ***Wire connectors***
- ***Fibreglass tunnel***

# BOW THRUSTERS

# Bow Thrusters

## Quick®

### BTQ Bow-Thrusters



#### BOW THRUSTERS

There are different models for different boats from 8 to 30 meters, and a thrust range from 30 to 270KGF.

The experience Quick has gained throughout years of electrical windlasses production, was fundamental for setting up the bow thrusters range

The propellers are in sturdy composite material;

the gear box doesn't affect the propellers' movements and

it is in bronze with zinc anodes as a protection against galvanic corrosions.

The gear box can be easily changed.

Thanks to these propellers and the engine performance,

bow thrusters are perfect in any conditions.

A microprocessor guarantees high protection against overheating

The elastic coupling makes the alignment between the engine and

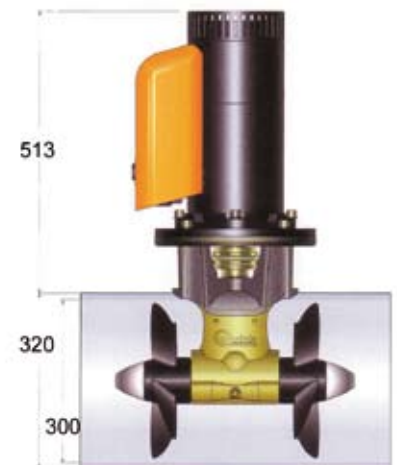
the gear box easier and it protects the propellers' movement against tears and snatches

The case that protects the reversing contactors is made of robust composite materials

The support flange is completely in hard-cote anodized aluminium

BTQ 140 and BTQ 185 has only one symmetric propeller; its thrust is equal in both directions.

BTQ 250 and BTQ 300, have two contra rotating propellers for a strong propulsion.



#### SINGLE PROPELLER

Model	Voltage	Thrust	Tunnel	Power	Cable size	Fuses	Boat lenght	Weight	Code
BTQ1403012	12 V	30 Kgf	Ø 140mm	1,5 Kw	95mm <sup>2</sup>	300 A	6 – 7 m	12,3 Kg	RE 90301
BTQ1404012	12 V	40 Kgf	Ø 140mm	2,2 Kw	95 mm <sup>2</sup>	300 A	7 – 9 m	12,3 Kg	RE 90302
BTQ1805512	12 V	55 Kgf	Ø 185mm	3 Kw	120 mm <sup>2</sup>	355 A	8 – 11 m	15,7 Kg	RE 90320
BTQ1805524	24 V	55 Kgf	Ø 185mm	3 Kw	50 mm <sup>2</sup>	200 A	8 – 11 m	15,7 Kg	RE 90321
BTQ1807512	12 V	75 Kgf	Ø 185mm	4 Kw	150 mm <sup>2</sup>	500 A	10 – 13 m	19,7 Kg	RE 90330
BTQ1807524	24 V	75 Kgf	Ø 185mm	4 Kw	120 mm <sup>2</sup>	325 A	10 – 13 m	19,7 Kg	RE 90331
BTQ1809512	12 V	90 Kgf	Ø 185mm	6 Kw	2 x 120 mm <sup>2</sup>	-	12 – 15 m	25,5 Kg	RE 90340
BTQ1809524	24 V	90 Kgf	Ø 185mm	6 Kw	120 mm <sup>2</sup>	355 A	12 – 15 m	25,5 Kg	RE 90341

#### CONTRA ROTATING DOUBLE PROPULSION

Model	Voltage	Thrust	Tunnel	Power	Cable size	Fuses	Boat lenght	Weight	Code
BTQ2514024	24 V	140 Kgf	Ø 250 mm	8 Kw	120 mm <sup>2</sup>	400 A	14 – 18 m	39,5 Kg	RE 90350
BTQ2524024	24 V	240 Kgf	Ø 250 mm	10 Kw	185 mm <sup>2</sup>	2 x 300 A	16 – 21 m	44,1 Kg	RE 90351
BTQ3025024	24 V	250 Kgf	Ø 300 mm	10 Kw	185 mm <sup>2</sup>	2 x 275 A	20 – 26 m	35,8 Kg	RE 90360
BTQ3027024	24 V	270 Kgf	Ø 300 mm	12 Kw	2 x 95 mm <sup>2</sup>	2 x 325 A	23 – 30 m	55,2 Kg	RE 90361



## REMOTE CONTROLS

The TCD remote control systems have been designed for controlling bow thrusters. Two different models available:

TCD 1042 Joystick in anti-UV silicon rubber

TCD 1022 with direction buttons.

Easy to use, quick to install

LED indicators

Clear and refined figure with rollaway screws

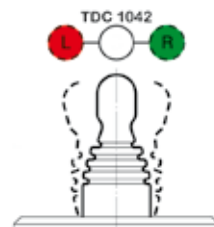
Can work in a wide range of ambient temperatures

Automatic priority system

Automatic disablement

Protection against reverse polarity, short circuit output, Prolonged activity of motor and interruption of thruster control wiring.

Possibility of connecting more TCD controls in parallel



## REMOTE CONTROLS

Model	Interface	Current capacity	Supply voltage	Dimensions including frame	IP protection	Code
TCD 1022	Direction buttons	4 A	8-30 V	78 x 78 mm	IP 66	RE 90310
BTQ 140 40 12	Joystick	4 A	8-30 V	78 x 78 mm	IP 66	RE 90311



## EXTENSIONS

Length	Extension	Code
6 meters	CABLED EXTENSION OF 6 METERS	RE 90312
12 meters	CABLED EXTENSION OF 12 METERS	RE 90313
18 meters	CABLED EXTENSION OF 18 METERS	RE 90314
24 meters	CABLED EXTENSION OF 24 METERS	RE 90315

## Y WIRE TO SPLIT THE CONTROLS

RE 90316

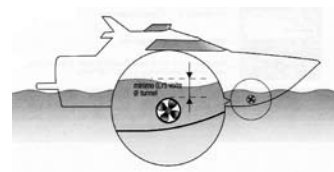


## FIBREGLASS TUNNEL FOR BOW THRUSTER

Materials: fiberglass

Possible to adapt at various type of bow thrusters

For any diameter exist different length



Model	Diameter	Lenght mm	Materials	Weight Kg	Code
SAPVTL 140075	140 mm	750 mm	fibreglass	3,3 Kg	RE 90370
SAPVTL 140100	140 mm	1000 mm	fibreglass	4,4 kg	RE 90371
SAPVTL 140150	140 mm	1500 mm	fibreglass	6,6 Kg	RE 90372
SAPVTL 140200	140 mm	2000 mm	fibreglass	8,8 Kg	RE 90373
SAPVTL 140200	140 mm	3000 mm	fibreglass	13,2 Kg	RE 90374
SAPVTL 185100	185 mm	1000 mm	fibreglass	7,0 kg	RE 90375
SAPVTL 185150	185 mm	1500 mm	fibreglass	10 kg	RE 90376
SAPVTL 185200	185 mm	2000 mm	fibreglass	14 kg	RE 90377
SAPVTL 185300	185 mm	3000 mm	fibreglass	21 Kg	RE 90378
SAPVTL 250100	250 mm	1000 mm	fibreglass	10,5 Kg	RE 90379
SAPVTL 250150	250 mm	1500 mm	fibreglass	15,7 Kg	RE 90380
SAPVTL 250200	250 mm	2000 mm	fibreglass	21 Kg	RE 90381
SAPVTL 250200	250 mm	3000 mm	fibreglass	31,5 Kg	RE 90382
SAPVTL 300100	300 mm	1000 mm	fibreglass	-	RE 90383
SAPVTL 300150	300 mm	1500 mm	fibreglass	-	RE 90384
SAPVTL 300200	300 mm	2000 mm	fibreglass	-	RE 90385
SAPVTL300300	300 mm	2000 mm	fibreglass	-	RE 90386

## FUSES AND FUSE HOLDERS



### FUSE HOLDERS

RE 90390

FUSES 200 A

RE 90391

FUSES 275 A

RE 90392

FUSES 300 A

RE 90393

FUSES 325 A

RE 90394

FUSES 355 A

RE 90395

FUSES 400 A

RE 90396

FUSES 500 A

RE 90397

